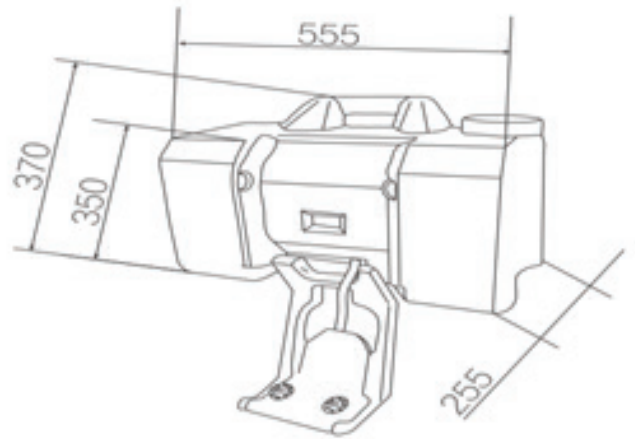


BEST SAFE



S250

Meets
ANSI Z358.1
EN15154-1&2

Specification:

1. Material: Non-toxic PE with casting forming.
2. Capacity: 9 gallon (34 Liter)
3. Color: Bright green
4. Flow: It can offer more than 15 minutes continual flow
5. Package: Carton size: 57X29X40CM
1 set per export carton
G.W.: 5KG N.W.: 4.5KG



ติดต่อเราได้ที่

TEAM SAFETY SALES

Tel: 02-7216923, 096-8931168

Line: @aro1988r Web: supersafetythailand.com